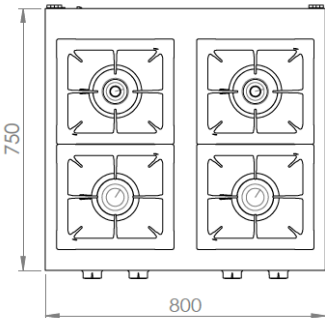
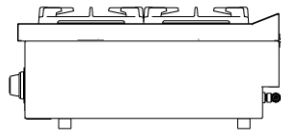
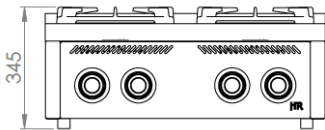
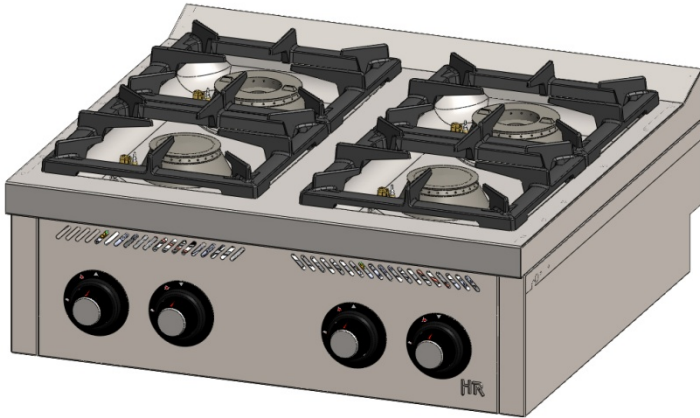


GAS RANGE 4 BURNERS 750 TOP 2018



GENERAL FEATURES

Brand	FAINCA HR
Family	GAS RANGE
Model	C4F750S
Countertop Lifting System	Incorporated
Main Material	Stainless steel AISI-304
Control device	YES
Control type	KNOB
Type of heating	GAS
Selection of the degree of temperature	2 positions-adjustable
Removable grills	YES
Max. Oven power G. Butane/Propane (kW)	No oven
Max. Oven power Natural Gas (kW)	No oven
Useful capacity of the oven (L)	No oven

PACKAGING

EAN Code	8437006768818
Standard pcs per packing unit / carton	1
Net weight (kg)	50
Gross weight (kg)	65
Number of pcs/pallet as standard	1

TECHNICAL DATA

Certifications of approval	CE
Max. Power G. Butane / Propane (kW)	22,4
Max. Power Natural Gas (kW)	30,6
Number of burners	4
Thermostatic oven valve	NO
Safety device	YES - THERMOCOUPLE
Ignition pilot	YES
Piezoelectric	NO

DIMENSIONS OF THE APPLIANCE

Device dimensions (width, depth, height) (mm)	800x750x345h
Measures of the product packed (mm)	860x810x480h
Interior dimensions of the oven (width, depth, height) (mm)	No Oven



BURNER POWER (kW)	G. Butane/Propane (G-30/G-31)	6,5	4,7
	Natural gas (G-20)	8,5	6,8
	Units	2	2