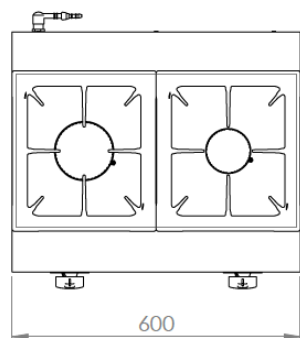
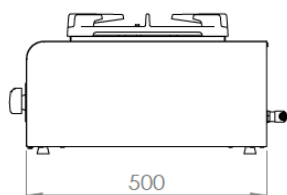
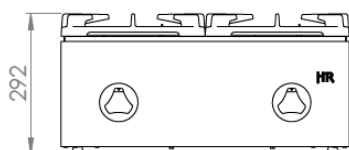


GAS BOILING TOP 600 SERIES 500 2018



GENERAL FEATURES	
Brand	FAINCA HR
Family	GAS BOILING TOPS
Model	FG600
Main Material	Stainless steel AISI-430
Control device	YES
Control type	KNOB
Type of heating	GAS
Selection of the degree of temperature	2 positions-adjustable
Removable grills	YES

PACKAGING	
EAN Code	8437006778664
Standard pcs per packing unit / carton	1
Net weight (kg)	18
Gross weight (kg)	21
Number of pcs/pallet as standard	5

TECHNICAL DATA	
Certifications of approval	CE
Max. Power G. Butane / Propane (kW)	9,5
Max. Power Natural Gas (kW)	9,5
Number of burners	2
Automatic disconnection	NO
Safety device	YES - THERMOCOUPLE
Ignition pilot	NO
Piezoelectric	NO

DIMENSIONS OF THE APPLIANCE	
Device dimensions (width, depth, height) (mm)	600x500x292h
Measures of the product packed (mm)	660x560x400h
Interior dimensions of the oven (width, depth, height) (mm)	No Oven



BURNER POWER (kW)	G. Butane/Propane (G-30/G-31)	6	3,5
Natural gas (G-20)	6	3,5	
Units	1	1	